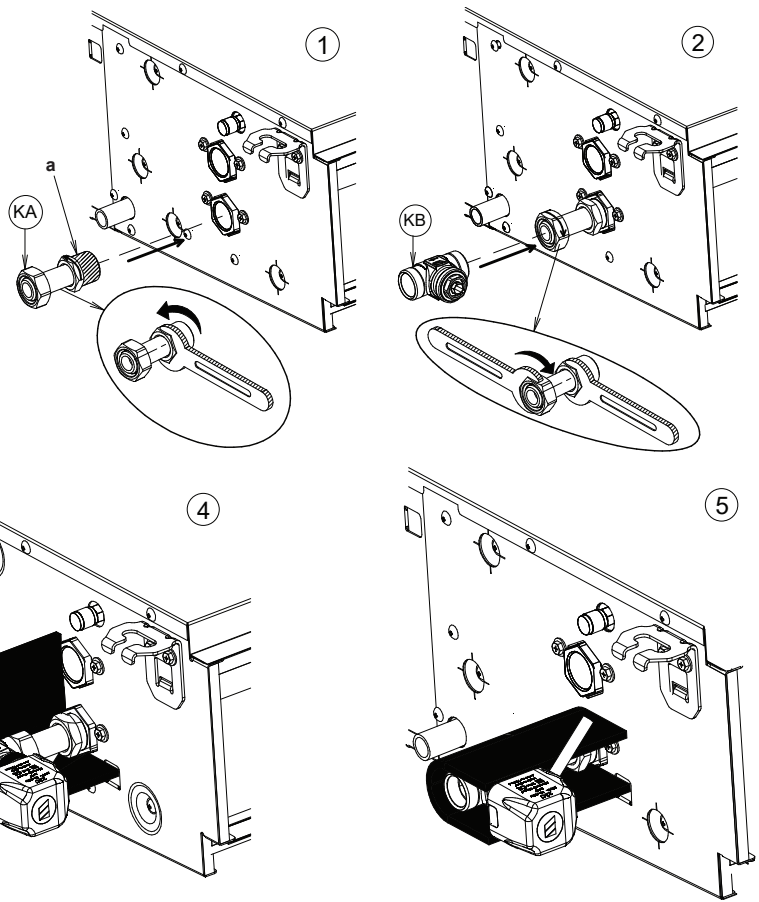


INSTALLATION OF TWO WAY VALVE KIT

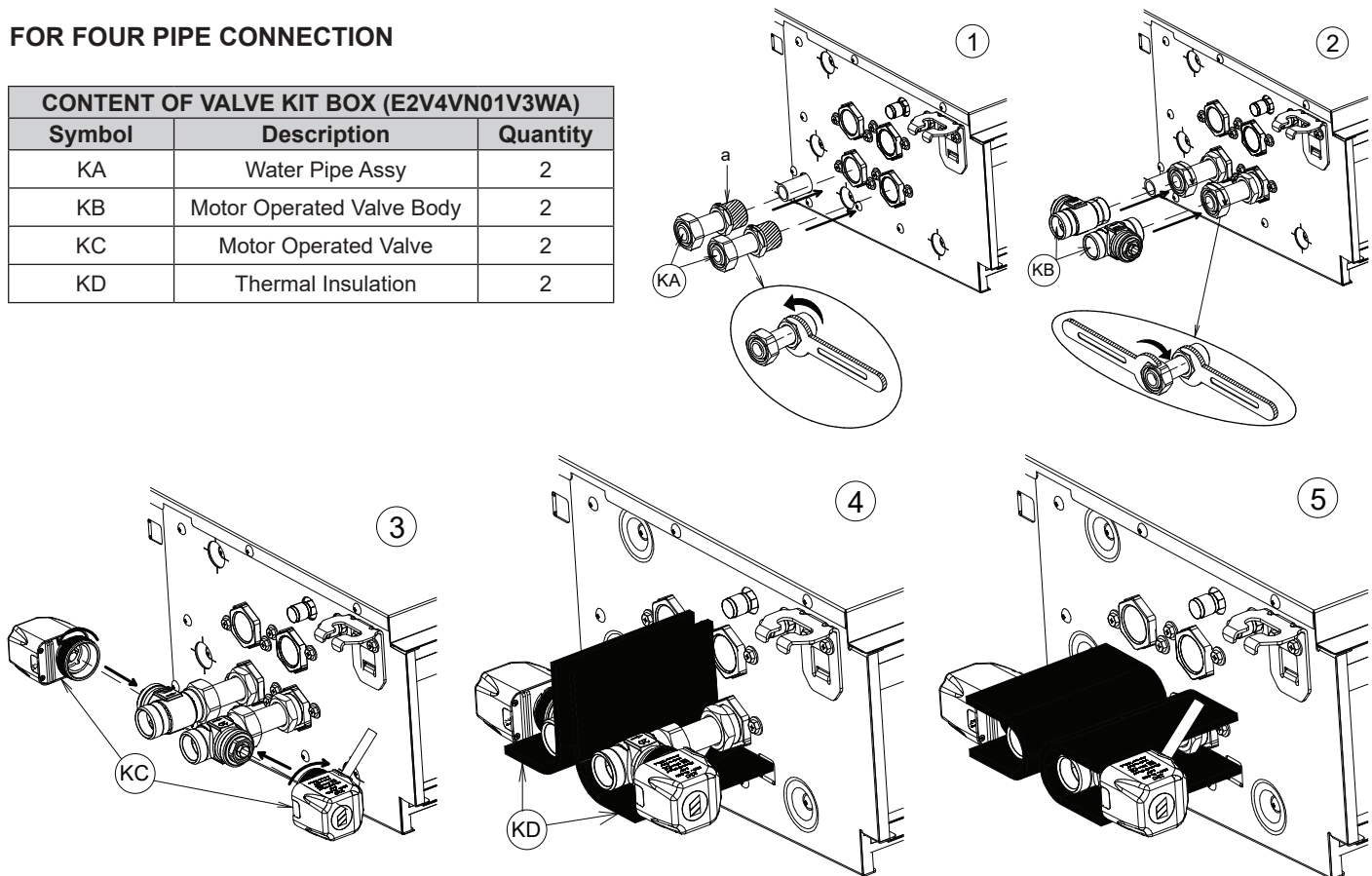
FOR TWO PIPE CONNECTION

| CONTENT OF VALVE KIT BOX (E2V2VN01V3WA) | | |
|---|---------------------------|----------|
| Symbol | Description | Quantity |
| KA | Water Pipe Assy | 1 |
| KB | Motor Operated Valve Body | 1 |
| KC | Motor Operated Valve | 1 |
| KD | Thermal Insulation | 1 |



FOR FOUR PIPE CONNECTION

| CONTENT OF VALVE KIT BOX (E2V4VN01V3WA) | | |
|---|---------------------------|----------|
| Symbol | Description | Quantity |
| KA | Water Pipe Assy | 2 |
| KB | Motor Operated Valve Body | 2 |
| KC | Motor Operated Valve | 2 |
| KD | Thermal Insulation | 2 |



NOTES:

- 1) Apply sealing tape to (KA), sealing tape is field supply.
- 2) Refer to the installation manual of (KC) about electrical wiring.

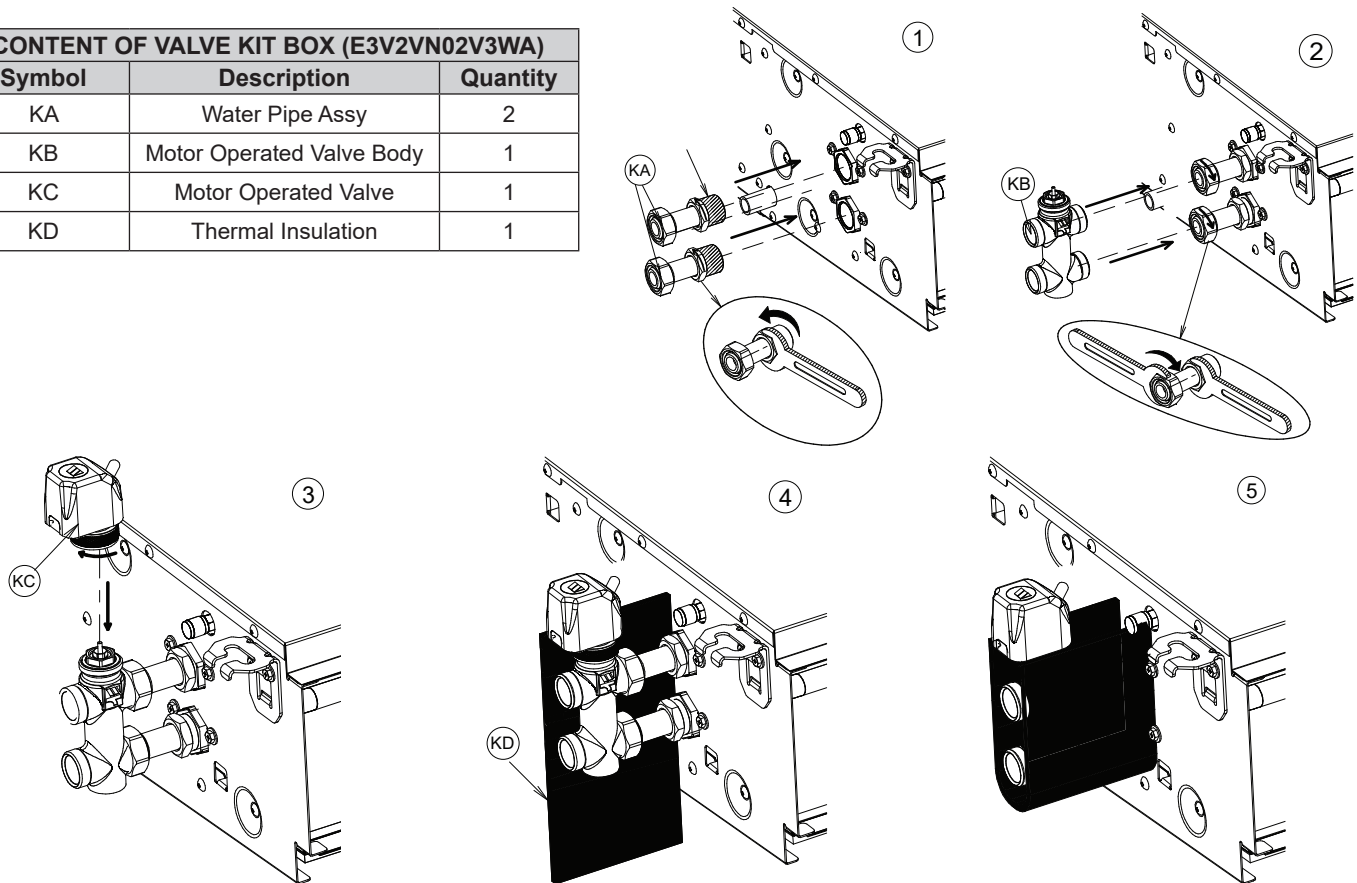
INSTALLATION OF THREE WAY VALVE KIT

FOR TWO PIPE CONNECTION



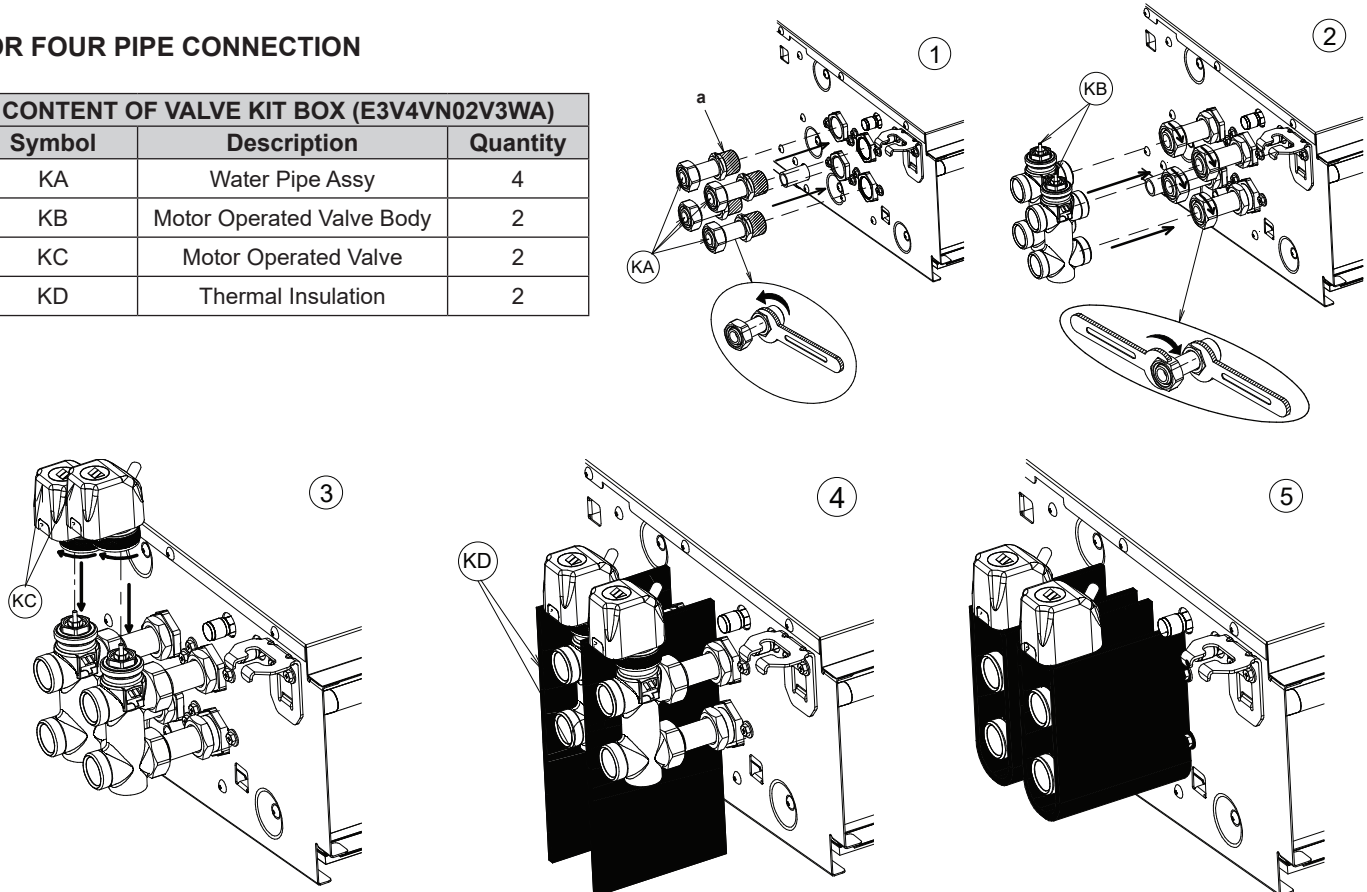
Scan and find out more

| CONTENT OF VALVE KIT BOX (E3V2VN02V3WA) | | |
|---|---------------------------|----------|
| Symbol | Description | Quantity |
| KA | Water Pipe Assy | 2 |
| KB | Motor Operated Valve Body | 1 |
| KC | Motor Operated Valve | 1 |
| KD | Thermal Insulation | 1 |



FOR FOUR PIPE CONNECTION

| CONTENT OF VALVE KIT BOX (E3V4VN02V3WA) | | |
|---|---------------------------|----------|
| Symbol | Description | Quantity |
| KA | Water Pipe Assy | 4 |
| KB | Motor Operated Valve Body | 2 |
| KC | Motor Operated Valve | 2 |
| KD | Thermal Insulation | 2 |



NOTES:

- 1) Apply sealing tape to (KA), sealing tape is field supply.
- 2) Refer to the installation manual of (KC) about electrical wiring.